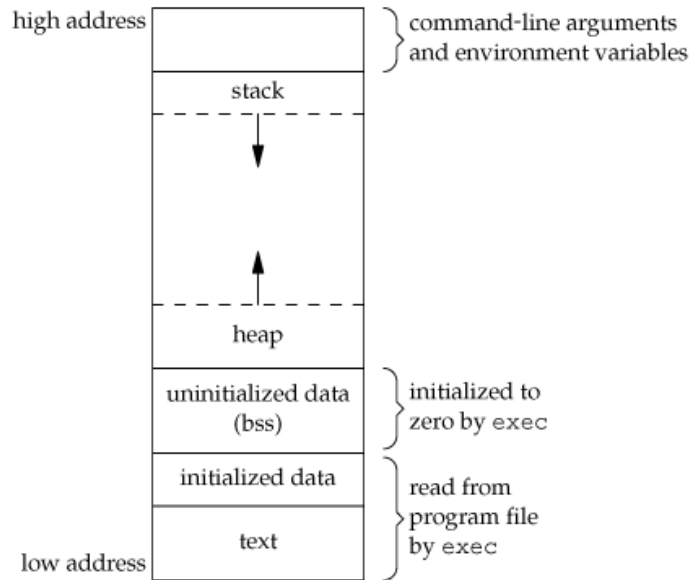
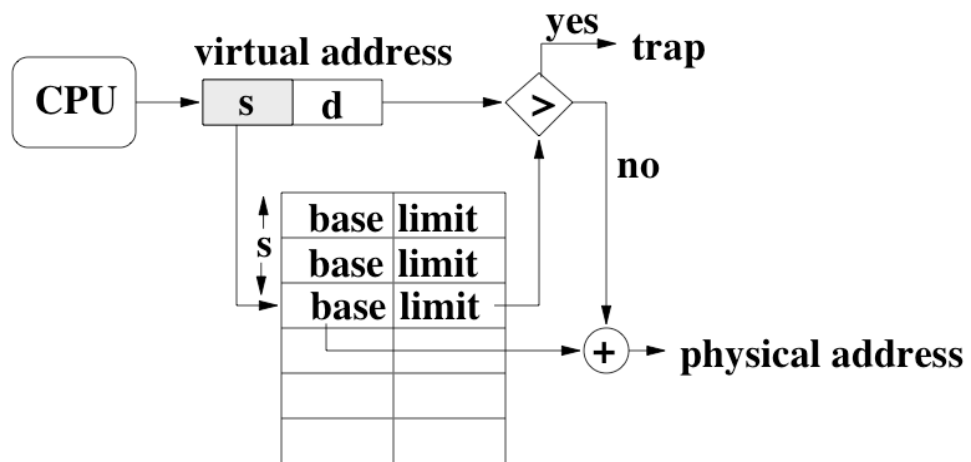


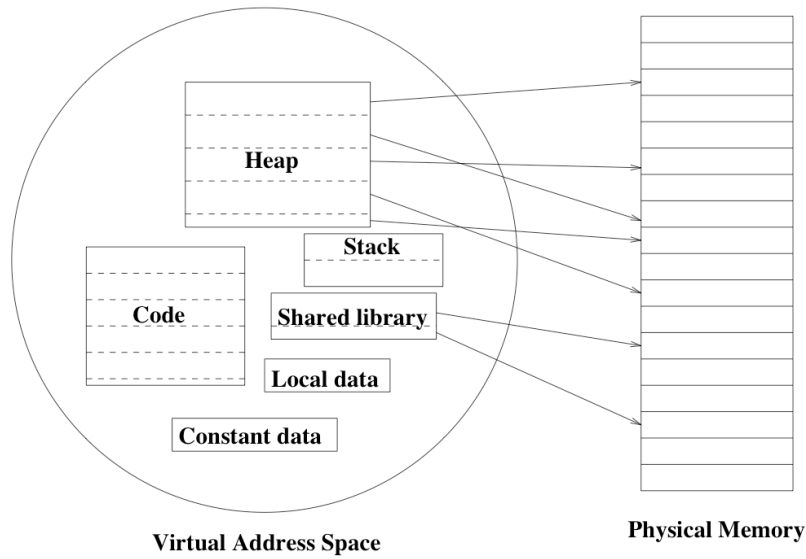
# Process Memory Layout (Segments)



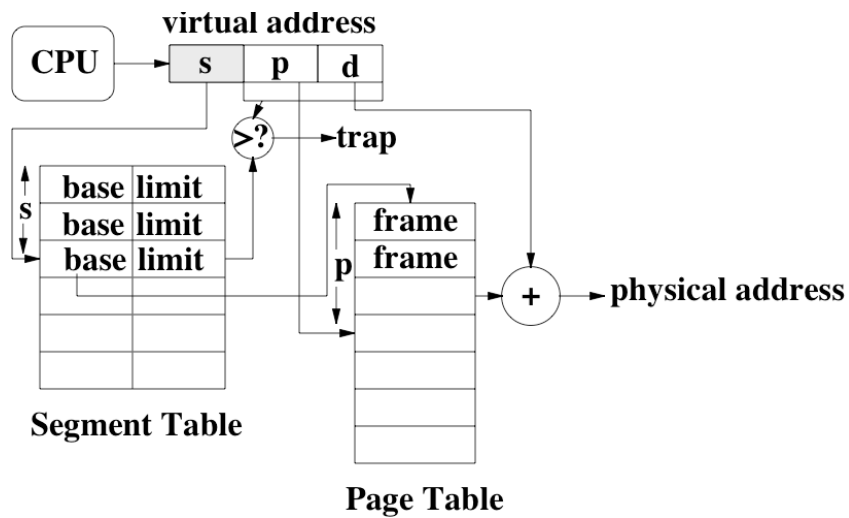
# Segmentation



# Segmented Paging



# Addressing in Segmented Paging



# Multilevel Page Tables

