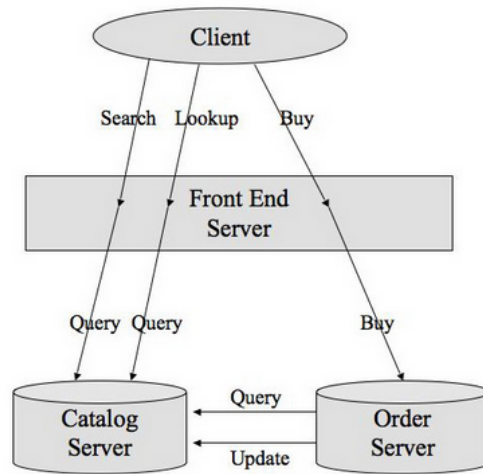
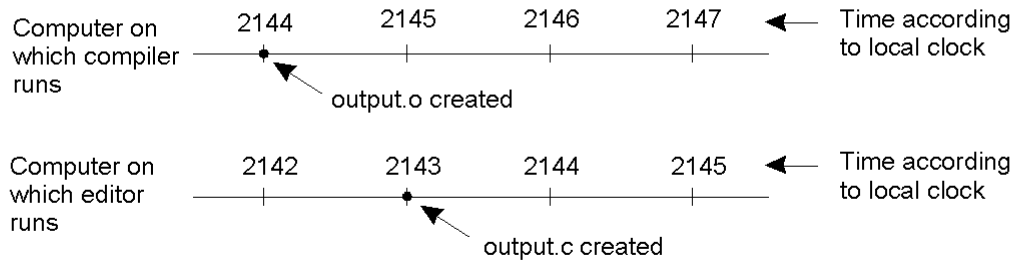


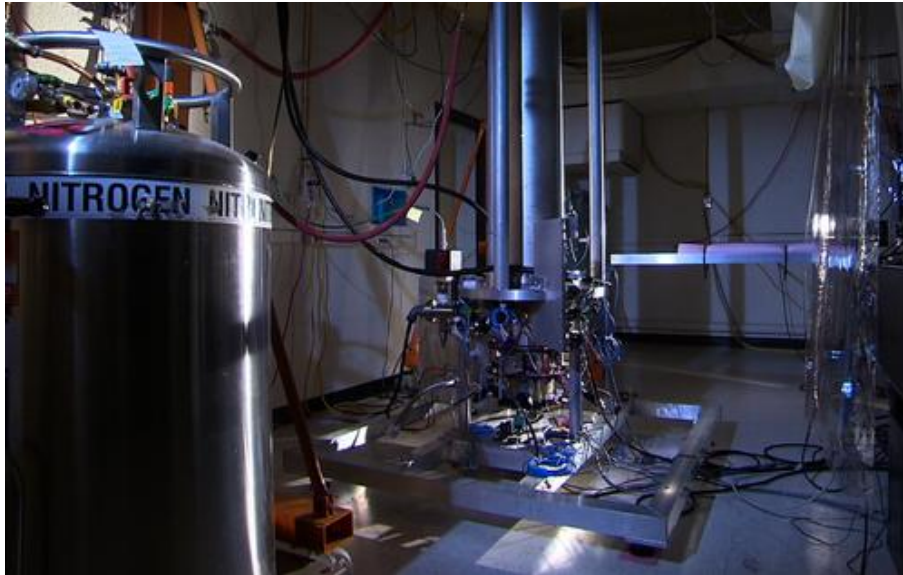
Project 2 Architecture



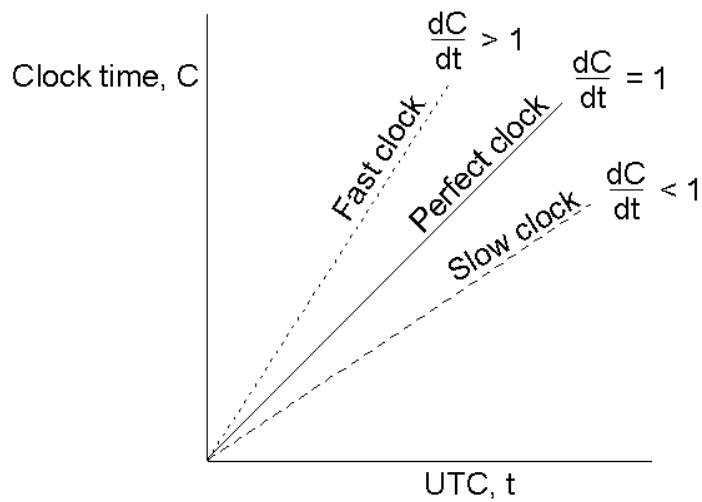
Event Ordering in Make



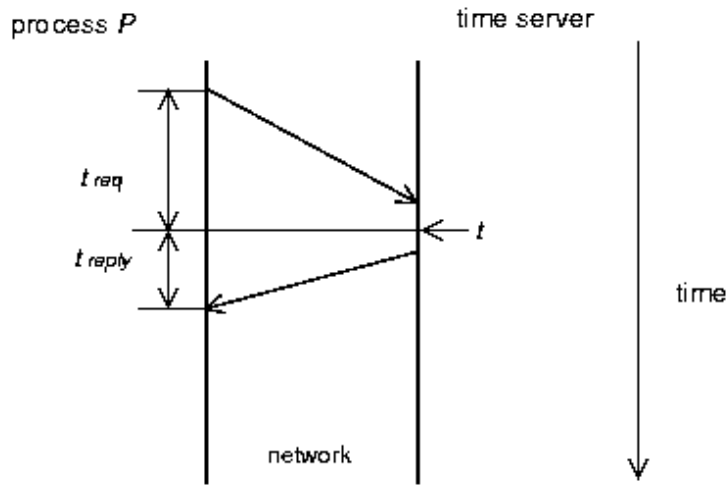
???



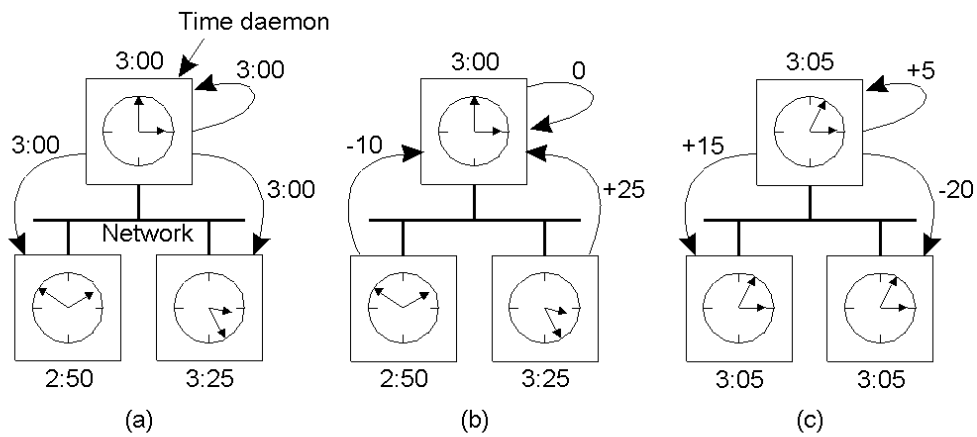
Clock Synchronization



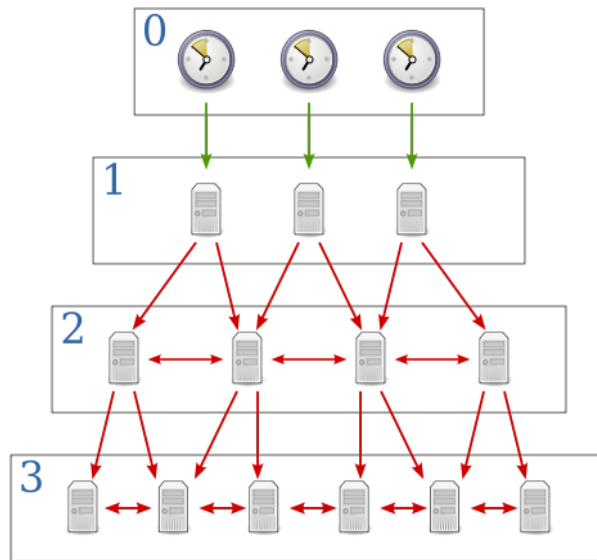
Cristian's Algorithm



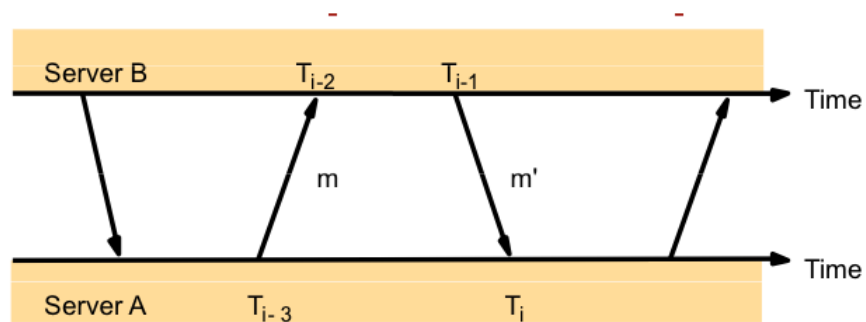
Berkeley Algorithm



Network Time Protocol Strata



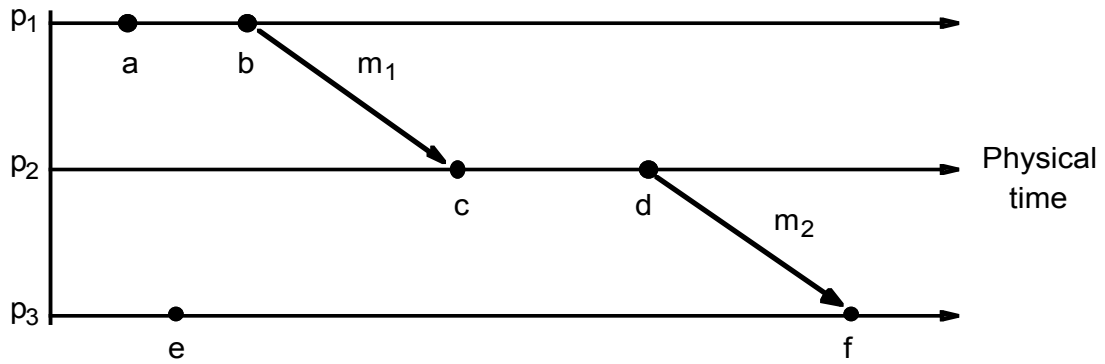
NTP Synchronization



$$o_i = (T_{i-2} - T_{i-3} + T_{i-1} - T_i) / 2$$

$$d_i = T_{i-2} - T_{i-3} + T_i - T_{i-1}$$

Logical Clocks



Lamport Clocks

