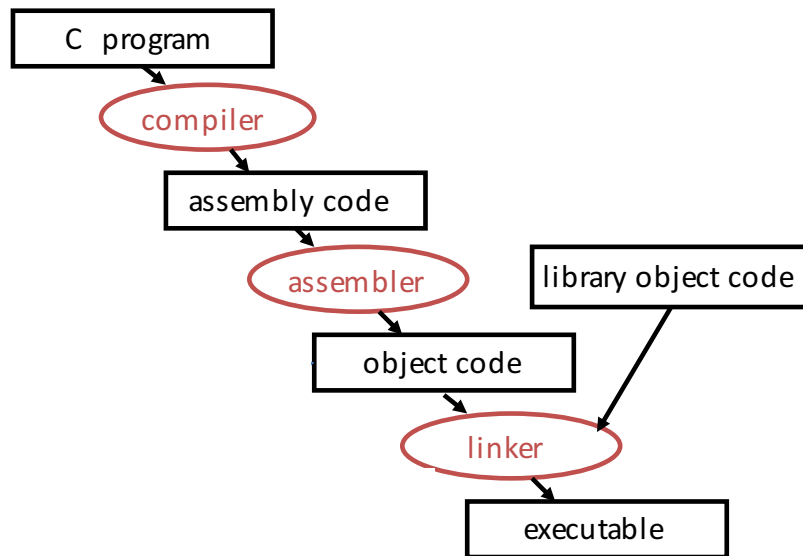
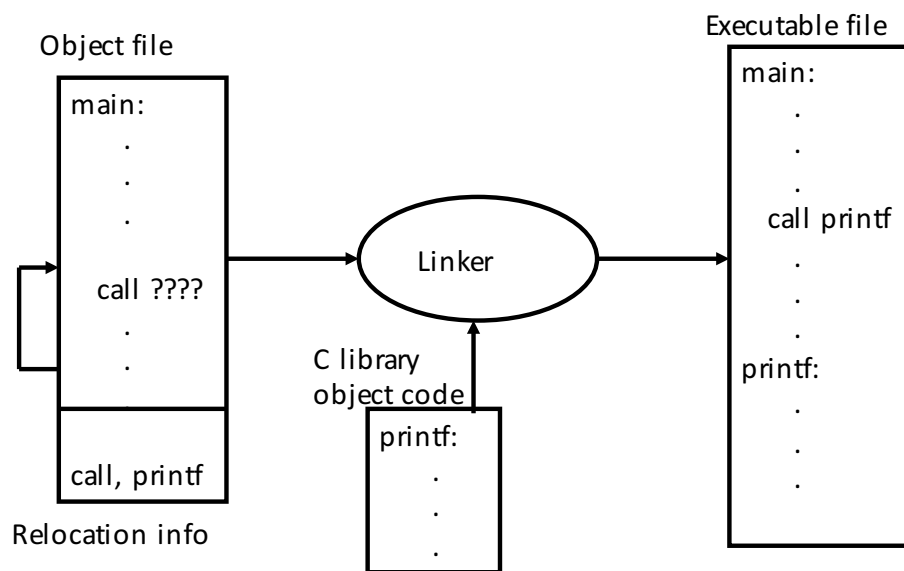


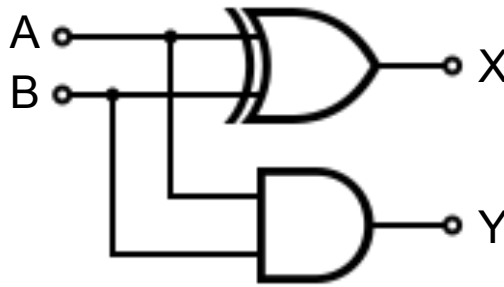
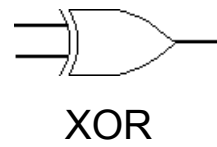
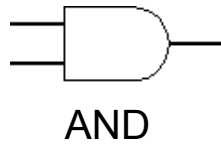
Program Generation Workflow



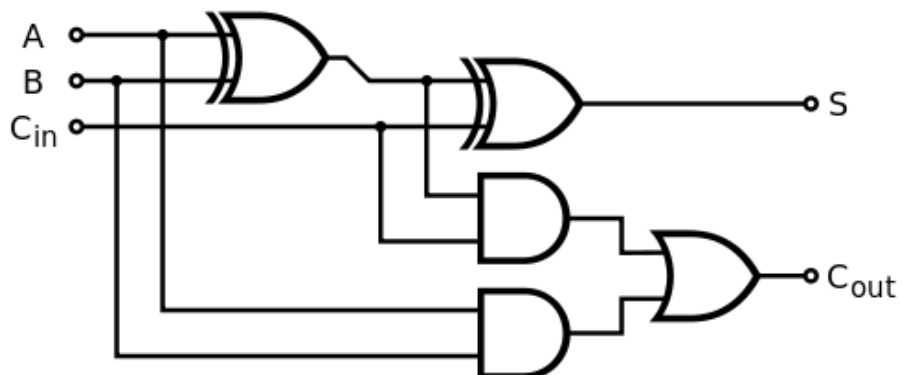
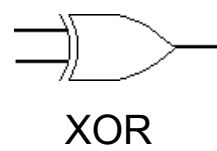
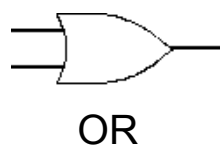
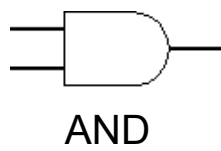
Linking Schematic



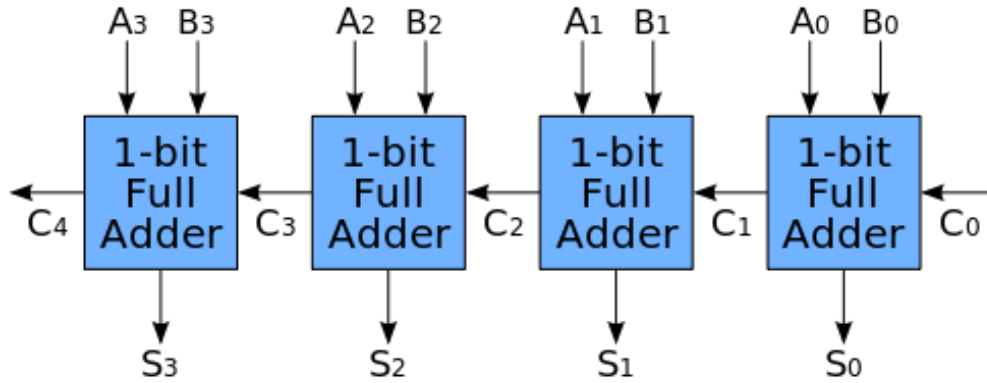
Circuits and Logic Gates



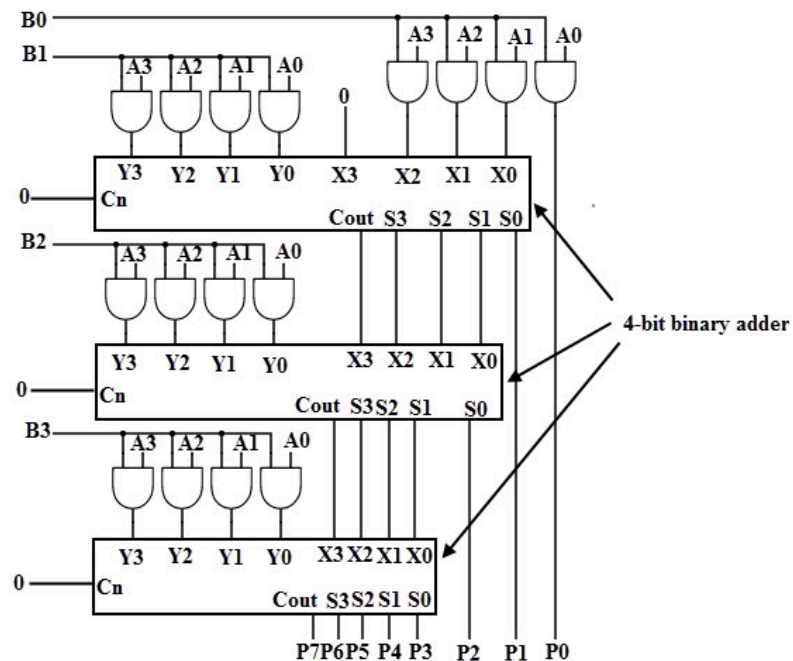
Full Adder



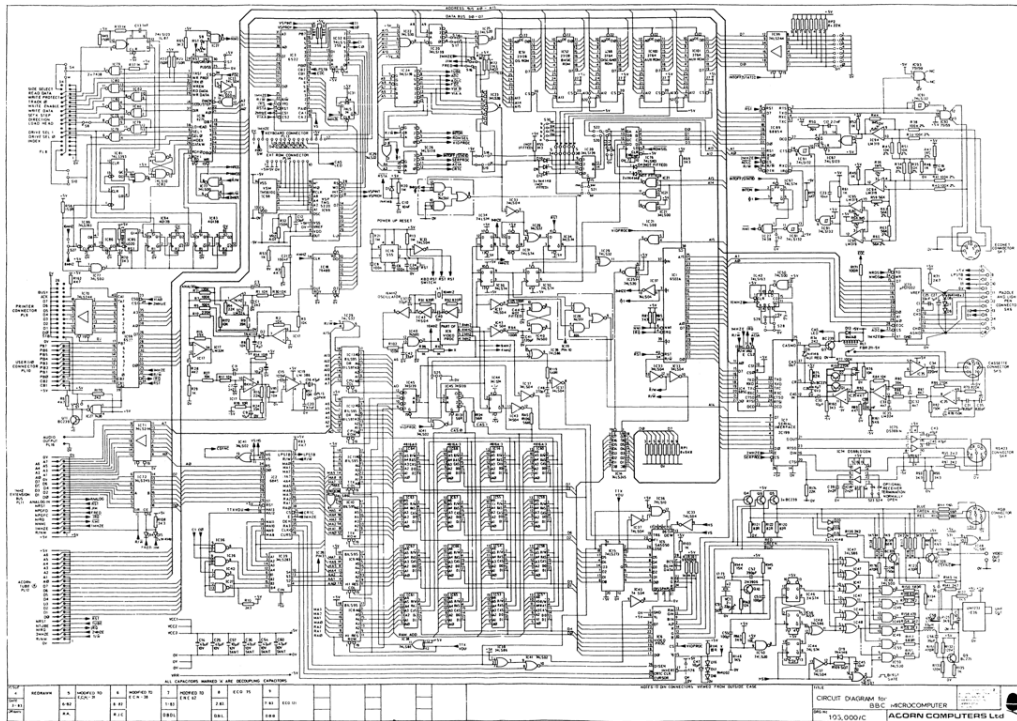
4-Bit Full Adder



4-Bit Binary Multiplier



30k Feet...



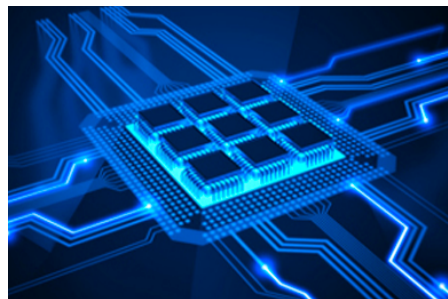
Bowdoin

Sean Barker

7

Big Ideas in Systems

- Abstraction
- Representation
- Performance
- Security + Reliability



Bowdoin

Sean Barker

8